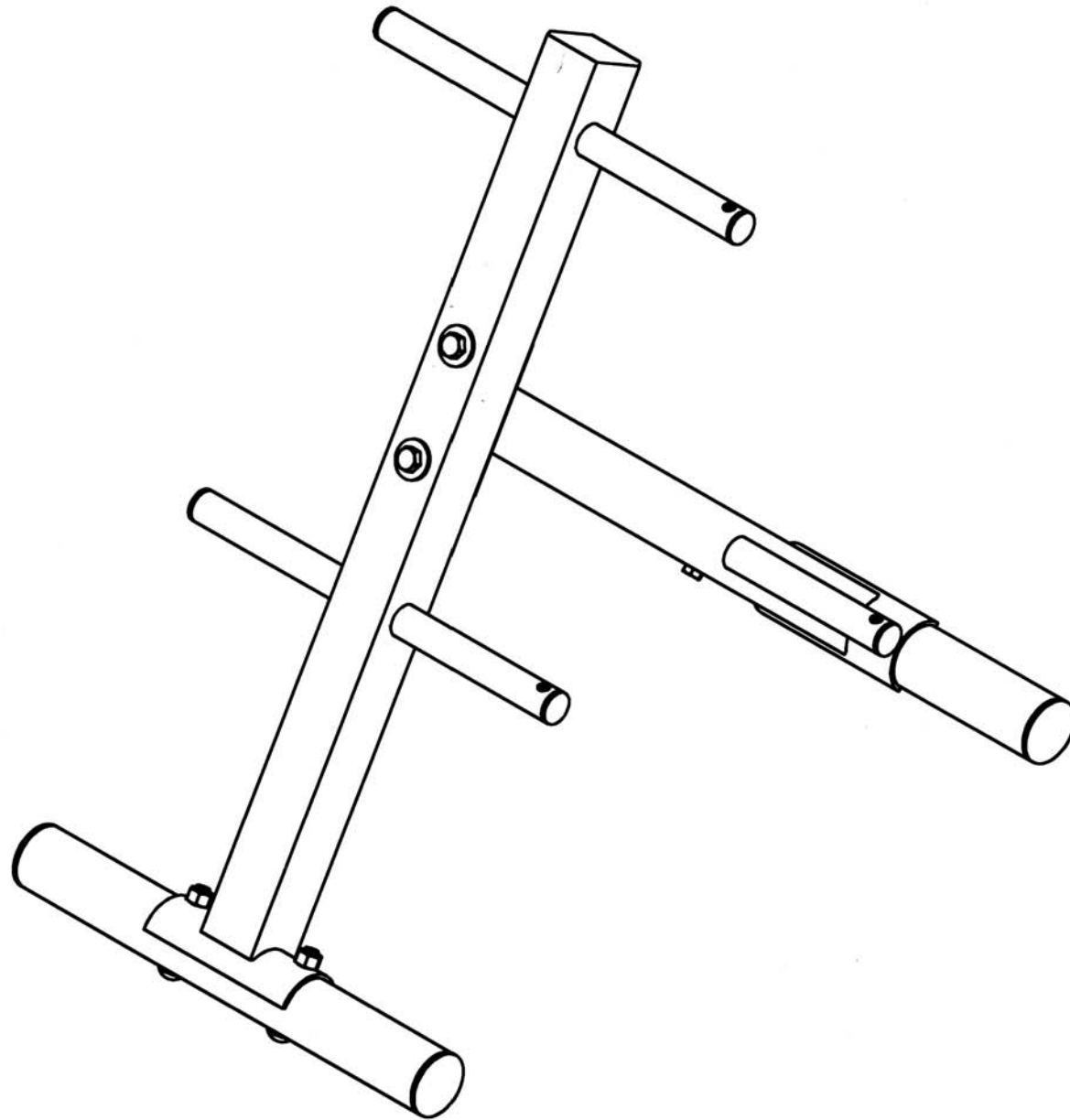


SWT-14



VERSION 0105

# SWT-14

## HARDWARE ILLUSTRATION SHEET

## PARTS ILLUSTRATION SHEET

	Qty.
A1. M10X65L CARRIAGE BOLT -----	[4PCS]
A2. M10X65L HEX HEAD BOLT -----	[2PCS]
B1. M10 NYLON LOCK NUT-----	[6PCS]
C1. M10 (I.D) WASHER-----	[2PCS]
D1. $\phi$ 1" ROUND END CAP (9211-016)-----	[6PCS]
D2. $\phi$ 50 ROUND END CAP (9211-020) -----	[4PCS]
D3. 2"X2"X1.8t END CAP (9211-005) -----	[1PCS]

A1



A2



B1



C1



D1



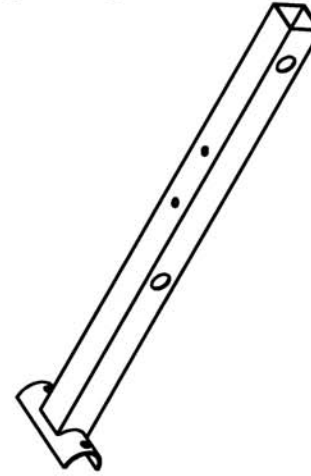
D2



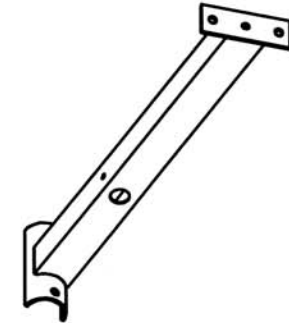
D3



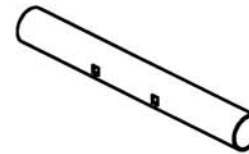
A[1PCS]



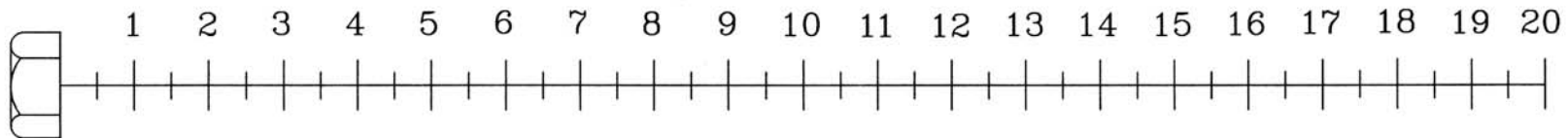
B[1PCS]



C[2PCS]



D[3PCS]



# SWT-14

