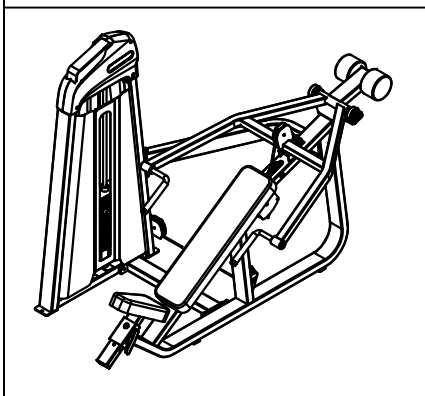
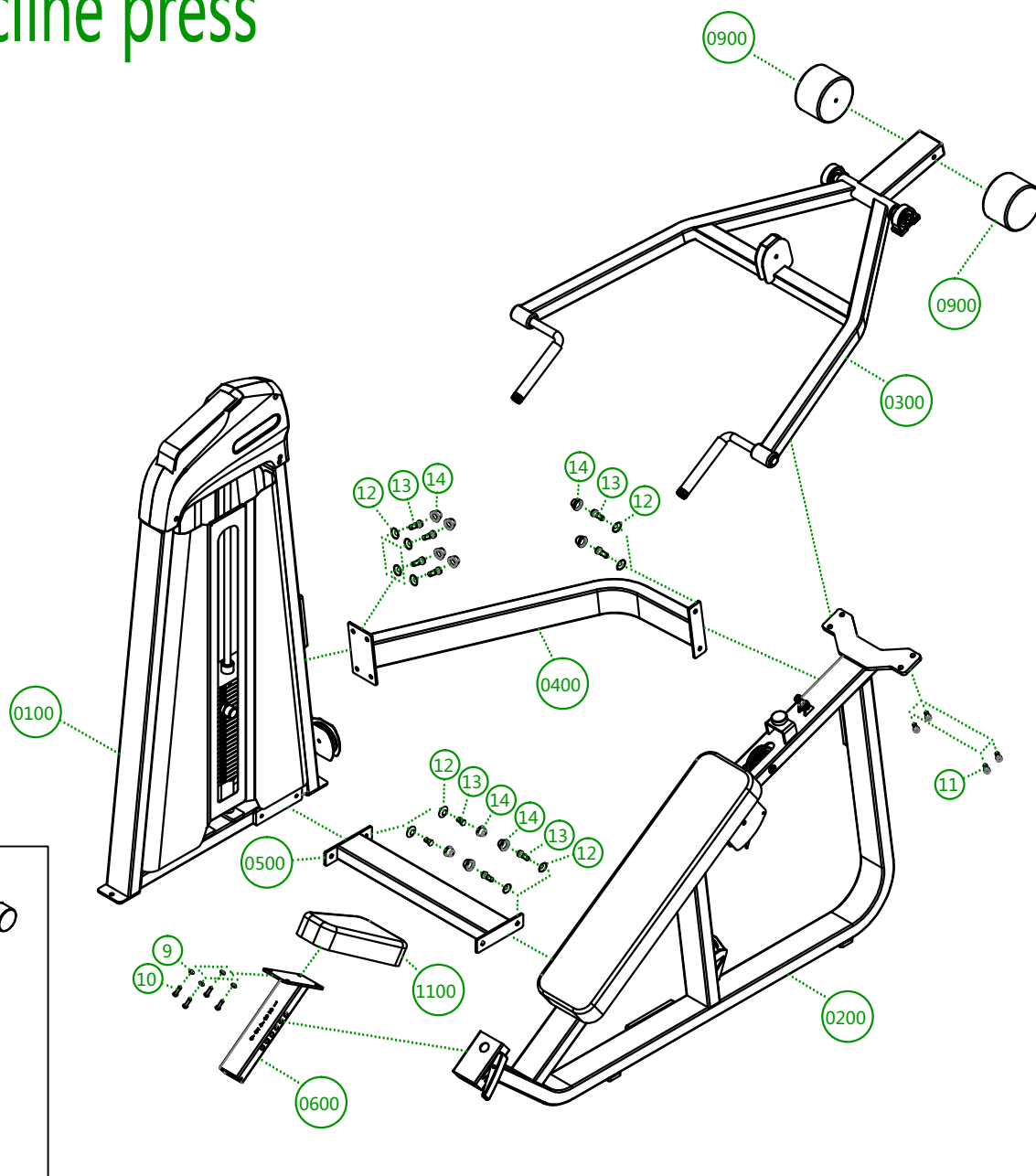


LD-9013 Incline press



LD9013 InclinePress

Installation steps:

1. Install 0100 door components and 0400 upper connection part
2. Install 0100 door components and 0500 lower connector part
3. Install the 0200 main frame assembly and the 0400 upper connection part
4. Install 0200 main frame assembly and 0300 movement arm part
5. Install 0300 movement arm part and 0900 counterweight
6. Install 0200 main frame assembly and 0600 seat cushion adjustment
7. Install 0600 seat cushion adjustment and 1100 seat cushion
8. Install the back cushion

No	Draw No	QTY
14	30Screw cap	10
13	M12*20hexagon bolt	10
12	12 Washer	10
11	M8*30 Socket cap screw	4
10	M8*30semicircle head screw hexagon	4
9	8 Washer	4
8	1100 Seat cushion	1
7	0900 Counterweight	2
6	0600 Cushion adjustment	1
5	0500 Under connection	1
4	0400 Upper connection	1
3	0300 Movement arm part	1
2	0200 Main frame assembly	1
1	0100 Door assembly	1

LD-9013 Incline Press

No	Name	QTY	Installation steps:
14	∅30Screw cap	10	1. Install 0100 door components and 0400 upper connection part
13	M12*20hexagon bolt	10	2. Install 0100 door components and 0500 lower connection part
12	∅12 Washer	10	3. Install the 0200 main frame assembly and the 0400 upper connection part
11	M8*30 Socket cap screw	4	4. Install 0200 main frame assembly and 0300 movement arm part
10	M8*30semicircle head screw hexagon	4	5. Install 0300 movement arm part and 0900 counterweight
9	∅8 Washer	4	6. Install 0200 main frame assembly and 0600 seat cushion adjustment
8	1100 Seat cushion	1	7. Install 0600 seat cushion adjustment and 1100 seat cushion
7	0900 Counterweight	2	8. Install the back cushion
6	0600 Cushion adjustment	1	
5	0500 Under connection	1	
4	0400 Upper connection	1	
3	0300 Movement arm part	1	
2	0200 Main frame assembly	1	
1	0100 Door assembly	1	