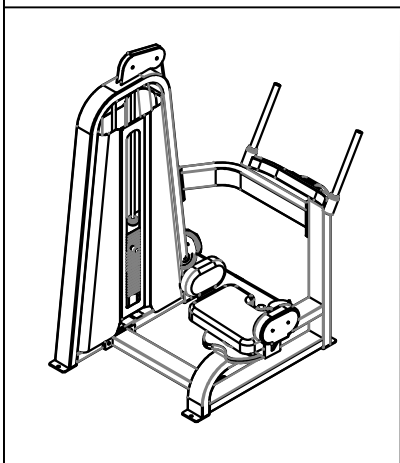
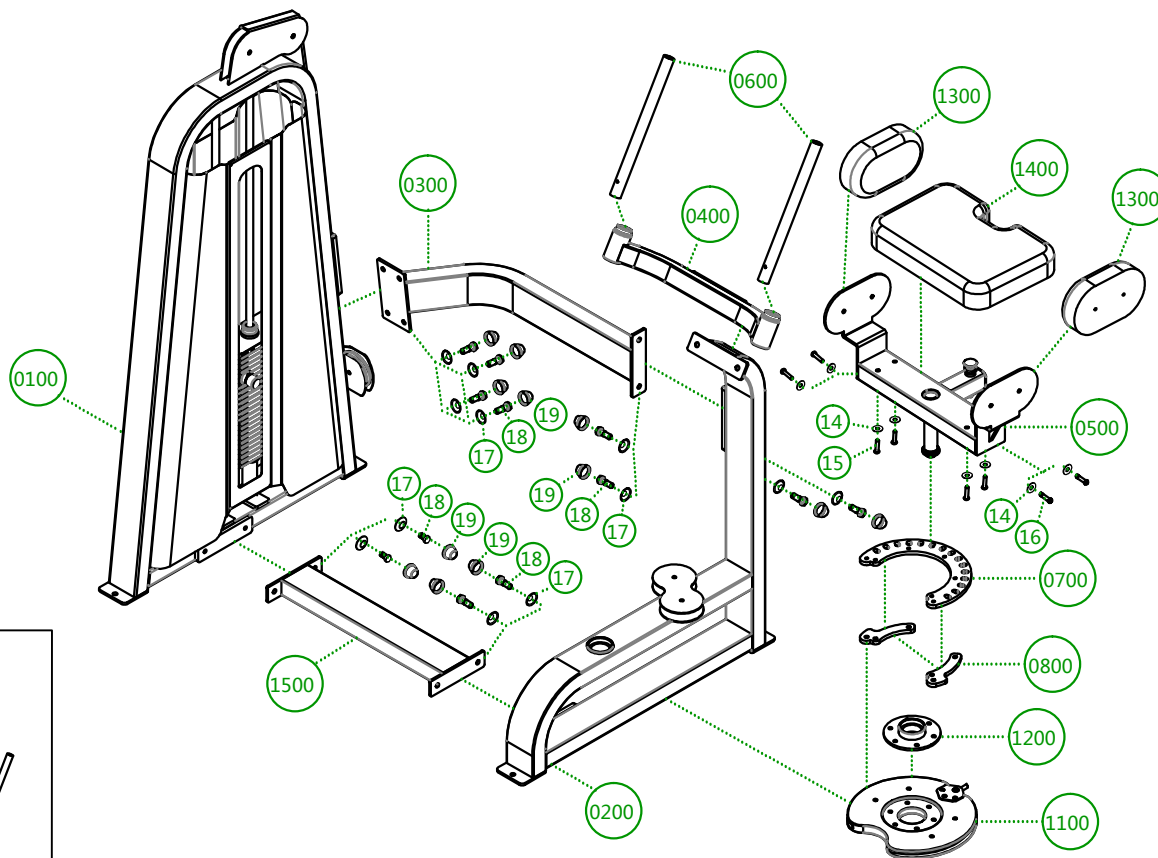


LD9018 Rotary torso



LD9018 Rotary Torso		
No	Draw No	QTY
19	30Screw cap	12
18	M12*20hexagonbolt	12
17	12 Washer	12
16	M8*30semicirclehead screw hexagon	4
15	M8*75semicirclehead screw hexagon	4
14	8 Washer	8
13	1500 Intermediatesupportgroup	1
12	1400 Seat cushion	1
11	1300 Side cushion	1
10	1200 Swap set	1
9	1100 Tray	1
8	0800 Circularplate	1
7	0700 Adjustingcirculararc plate	1
6	0600 Handle	1
5	0500 Cushionadjustment	1
4	0400 Curvedhandle	1
3	0300 Connectioncomponent	1
2	0200 Main frame assembly	1
1	0100 Door assembly	1

- Installation steps:
1. Install 0100 door components and 0300 connection components
 2. Install 0100 door components and 1500 intermediate support groups
 3. Install 0200 main frame components and 0300 connection components
 4. Install 1100 tray and 1200 swap set
 5. Install 0800 arc plate and 1100 tray
 6. Install 0500 seat cushion adjustment and 1100 tray
 7. Install 1400 seat cushion and 0500 seat cushion adjustment
 8. Install 1300 side cushion and 0500 seat cushion adjustment
 9. Install 0200 main frame assembly and 0400 curved handle
 10. Install 0400 curved handle and 0600 handle

LD9018 Rotoray Torso

No	Name	QTY	Installation steps:
19	∅30Screw cap	12	1. Install 0100 door components and 0300 connection components
18	M12*20hexagon bolt	12	2. Install 0100 door componentsand 1500 intermediate support groups
17	∅12 Washer	4	3. Install 0200 main frame components and 0300 connection components
16	M8*30semicircle head screw hexagon	4	4. Install 1100 tray and 1200 swap set
15	M8*75semicircle head screw hexagon	8	5. Install 0800 arc plate and 1100 tray
14	∅8 Washer	1	6. Install 0500 seat cushion adjustment and 1100 tray
13	1500 Intermediate support group	1	7. Install 1400 seat cushion and 0500 seat cushion adjustment
12	1400 Seat cushion	1	8. Install 1300 side cushion and 0500 seat cushion adjustment
11	1300 Side cushion	1	9. Install 0200 main frame assembly and 0400 curved handle
10	1200 Swap set	1	10. Install 0400 curved handle and 0600 handle
9	1100 Tray	1	
8	0800 Circular plate	1	
7	0700 Adjusting circular arc plate	1	

6	0600 Handle	1	
5	0500 Cushion adjustment	1	
4	0400 Curved handle	1	
3	0300 Connection component	1	
2	0200 Main frame assembly	1	
1	0100 Door assembly		