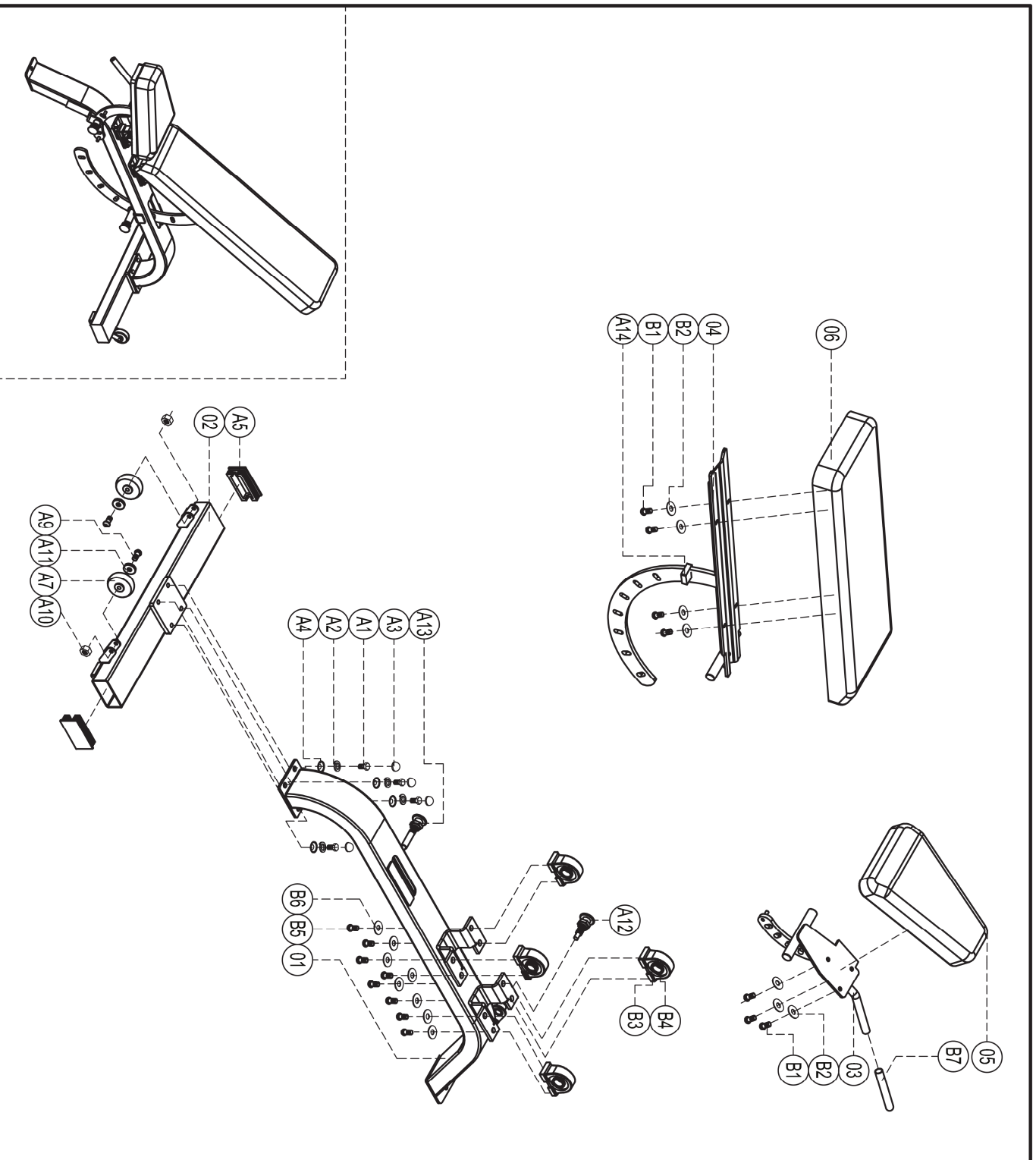


# Exploded

please note :prats didn't  
démolitionnde part and fast eners  
not listide on the introduction



B7	handle bar cover $\phi 20$	1
B6	flat washer $\phi 8$	8
B5	Snap head inner hex screw M8*25	8
B4	bearing UC205	4
B3	bearing block PA205	4
B2	flat washer $\phi 8$	7
B1	Snap head inner hex screw M8*35	7
A13	bolt LX013	1
A12	bolt LX011	1
A11	flat washer $\phi 8$	2
A10	hex nut M8	2
A9	Snap head inner hex screw M8*40	2
A7	Rollor S235 $\phi 12*\phi 75*123$	2
A5	tube plug S230 50*100	2
A4	drum washer $\phi 12*\phi 30*11.5$	4
A3	cover S220 $\phi 30$	4
A2	$\phi 12$ spring washer	4
A1	outside hex screw M12*20	4
06	back cushion	1
05	cushion	1
04	back cushion frame	1
03	cusion selection frame	1
02	Floor portfolio	1
01	main frame	1
serial number	Name	quantity