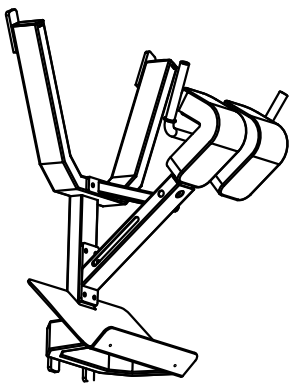
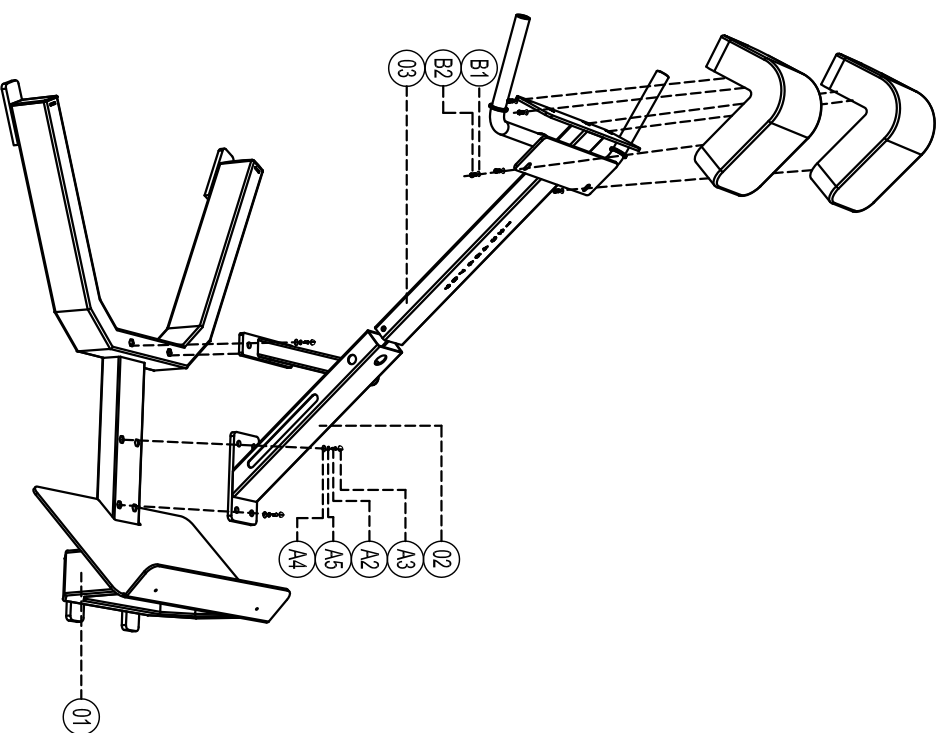


# Exp Loded

E3045 Back Extension



please note :prats didn't demolitionde part and fast eners not listde on the introduction

serial number	name	quantity
B2	Cup head inner hex screw M8*35	6
B1	Flat washer Φ8.3*Φ20*11.5	6
A5	Spring washer Φ12	6
A4	Gasket DQ003 Φ12*Φ30*11.5	6
A3	Screw cap S277	6
A2	Outer hex screw M12*35	6
03	cusion selection set	1
02	Fixing set	1
01	Main frame	1