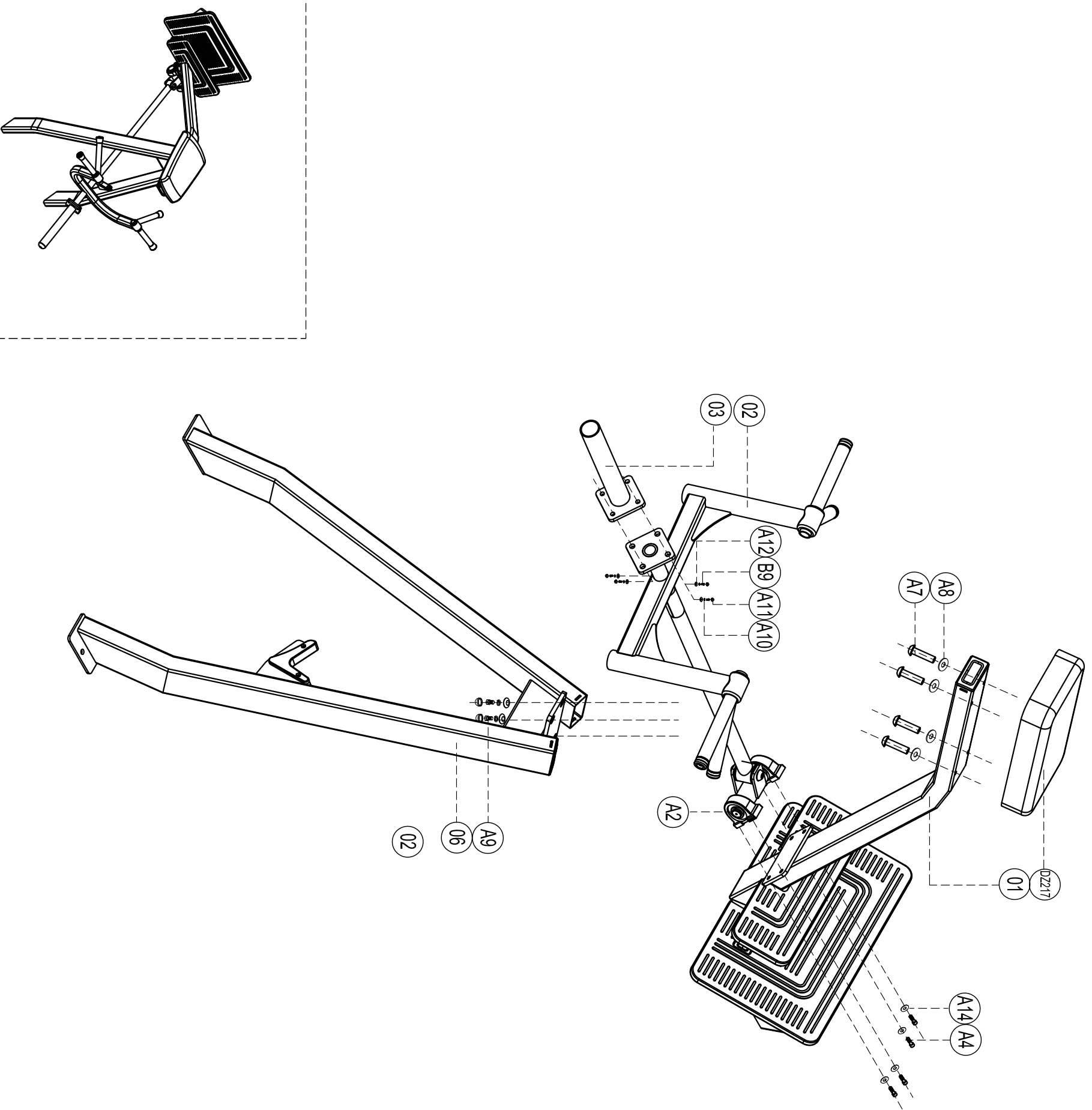


Exploded

E3061 Incline Lever Row

please note :parts didn't demolition part and fasteners not listde on theintroduction



B9	Outer hex screw M12*25	4
A14	Flat washer phi10	4
A12	Gasket DQ003	8
A11	Screw cap S208	8
A10	Spring washer phi12	8
A9	Outer hex screw M12*35	4
A8	Flat washer phi8	4
A7	Cup head inner hex screw M8*80	4
A4	Socket head inner hex M10*25	4
A2	Bearing basement PA205	2
DZ217	Backrest DZ217	1
06	Support sets	1
03	Plate holder set	1
02	Move arm set	1
01	Main frame	1
No.	Name	Qty